

Aquaforce Pro

THORN

93941723 AQFPRO L LED6400-840 PC WB HF E3



Aquaforce Pro

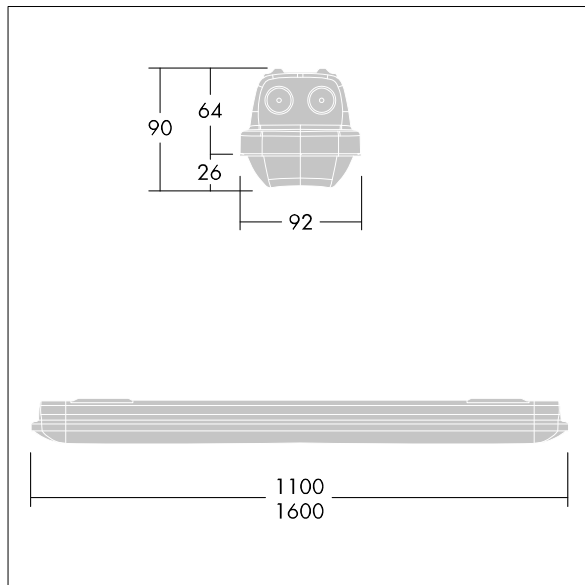
An IP66, dust and moisture resistant LED luminaire. Electronic, fixed output control gear Self contained luminaire, manual test (3 hours). With wide beam distribution. Class I electrical. Canopy: light grey polycarbonate. Diffuser: high transmission opal polycarbonate with refraction prisms. Patented snap-on mechanism EasyClick for clipless mounting of diffuser. For surface or suspended mounting. Quick-fix brackets supplied for surface mounting. Suitable for ceiling or wall (both vertically and horizontally). Approved for indoor use or in canopied outdoor areas (see installation instructions). Mounting kits for conduit, chain suspension and catenary suspension are available as accessories. ambient temperature: 0°C to +25°C. Complete with 4000K LED..

Note: please contact your consultant if you are planning to use the luminaire in environments with chemical pollutants, high or condensing humidity and major variations in temperature.

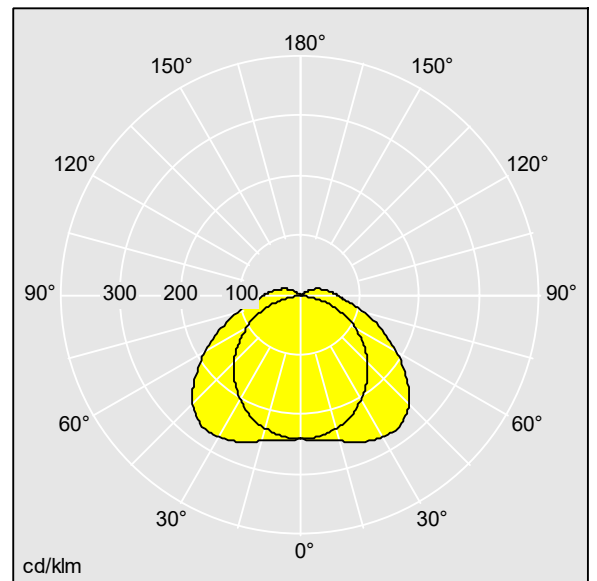
Dimensions: 1600 x 92 x 90 mm
Luminaire input power: 48.4 W
Luminaire luminous flux: 6370 lm
Luminaire efficacy: 132 lm/W
Weight: 2.5 kg



TLG_AQUP_F_PDB_1600MED.jpg



TLG_AQUP_M_LD1.wmf



D45932_AQFPRO_L_6400-840_PC_WB_HF.lid

Lamp position: STD - standard
Light Source: LED
Luminaire luminous flux*: 6370 lm
Total emergency luminous flux: 580 lm
Luminaire efficacy*: 132 lm/W
Colour Rendering Index min.: 80
Ballast 1: 1 x 87500785 LC 54/350/153 fixC sl SNC
LOR: 1,00 ULOR: 0,08 DLOR: 0,92

Ballast 2: 1 x 89800581 EM converterLED BASIC 204
MH/LiFePO4 250
Correlated colour temperature*: 4000 Kelvin
Chromaticity tolerance (initial MacAdam): 3
Rated median useful life*:
L80 100000 h at 25 °C
Luminaire input power*: 48.4 W Power factor = 0.97
Dimming: HF
Maintenance category CIE 97: E - Dust-proof IP5X

All values marked with an * are rated values. Thorn uses tried and tested components from leading suppliers, however there may be isolated instances of technology-related failures of individual LEDs during the rated product lifetime. International standards set the tolerance in initial flux and connected load at ±10%. Unless stated otherwise, the values apply to an ambient temperature of 25°C. Risk group

Thorn Lighting is constantly developing and improving its products. The right is reserved to change specifications without prior notification or public announcement.
© Thorn Lighting