

Aquaforce Pro

THORN

96630758 AQFPRO L LED8000-840 PC MB HF

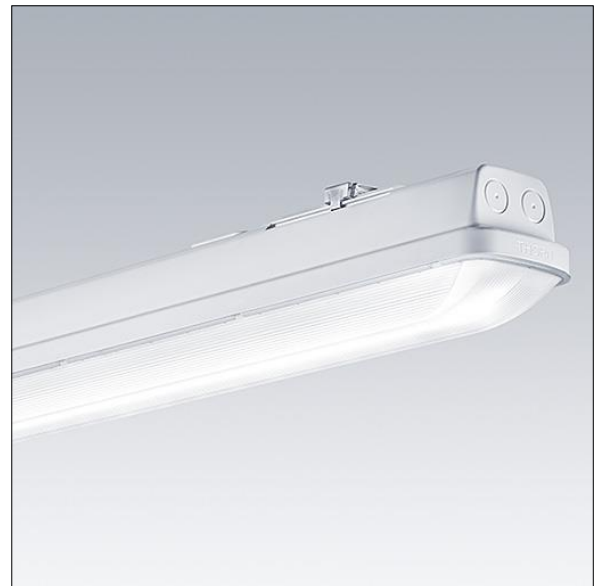
LED	52W Z_A8000-840PCMBHF	CB			IP66		halogen	IK08		CE				850°C	T _a -20 +30	
-----	-----------------------	----	--	--	------	--	---------	------	--	----	--	--	--	-------	---------------------------	--

Aquaforce Pro

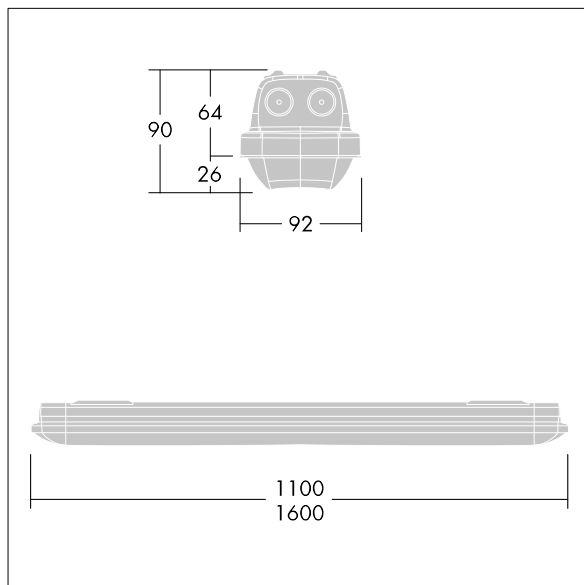
An IP66, dust and moisture resistant LED luminaire. Electronic, fixed output control gear. With medium beam distribution. Class I electrical. Canopy: light grey polycarbonate. Diffuser: high transmission opal polycarbonate with refraction prisms. Patented snap-on mechanism EasyClick for clipless mounting of diffuser. For surface or suspended mounting. Quick-fix brackets supplied for surface mounting. Suitable for ceiling or wall (both vertically and horizontally). Approved for indoor use or in canopied outdoor areas (see installation instructions). Mounting kits for conduit, chain suspension and catenary suspension are available as accessories. Suitable for through wiring with H05VV or NYM cable (rated 10A). ambient temperature: -20°C to +30°C. Complete with 4000K LED..

Note: please contact your consultant if you are planning to use the luminaire in environments with chemical pollutants, high or condensing humidity and major variations in temperature.

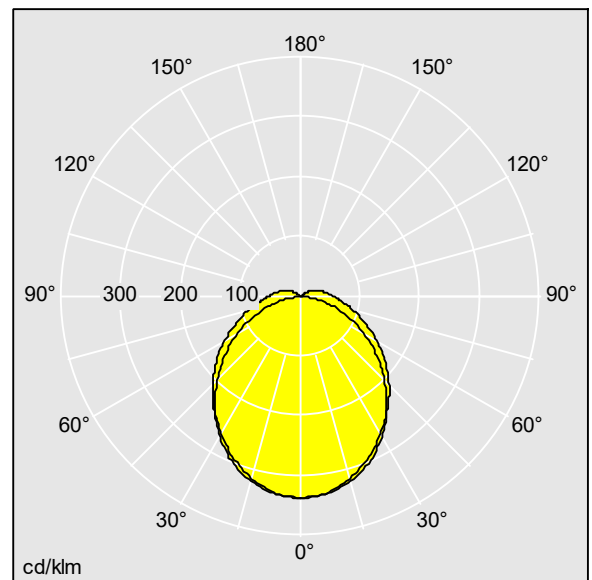
Dimensions: 1600 x 92 x 90 mm
Luminaire input power: 52.3 W
Luminaire luminous flux: 7960 lm
Luminaire efficacy: 152 lm/W
Weight: 2.1 kg



TLG_AQUP_F_PDB_1600MED.jpg



TLG_AQUP_M_LD1.wmf



D45933_AQFPRO_L_8000-840_PC_MB_HF.idt

Lamp position: STD - standard
Light Source: LED
Luminaire luminous flux*: 7960 lm
Luminaire efficacy*: 152 lm/W
Colour Rendering Index min.: 80
Ballast: 1 x 87500786 LC 67/430/156 fixC sl SNC
Correlated colour temperature*: 4000 Kelvin

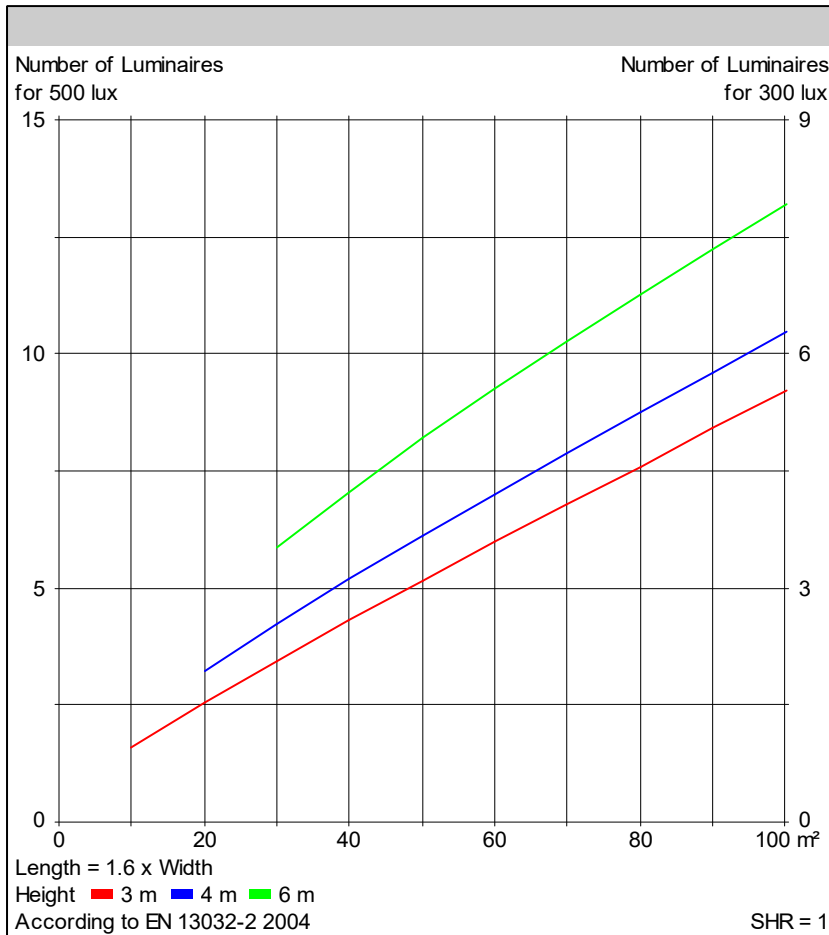
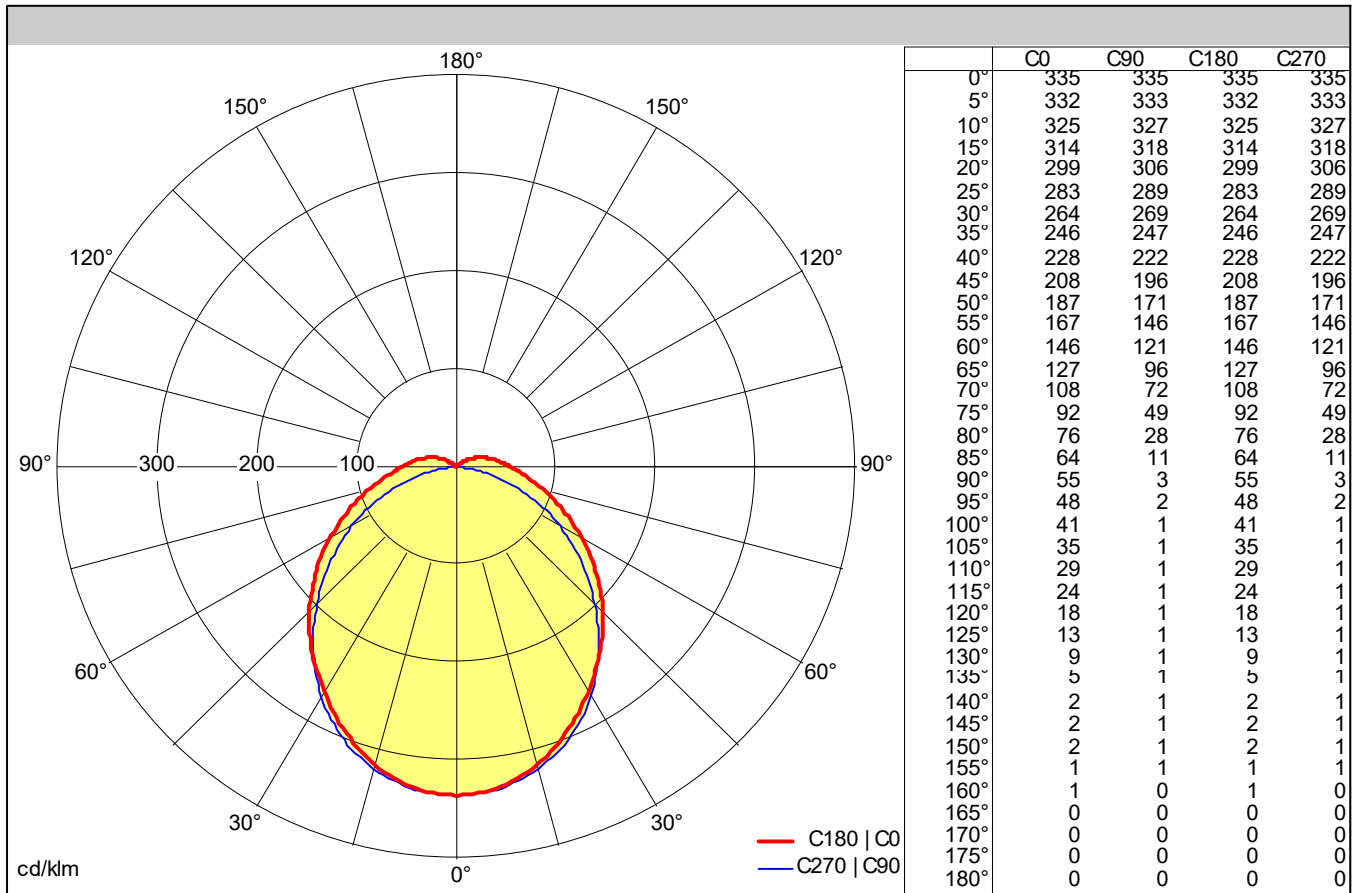
Chromaticity tolerance (initial MacAdam): 3
Rated median useful life*:
L80 100000 h at 25 °C
Luminaire input power*: 52.3 W Power factor = 0.97
Dimming: HF
Maintenance category CIE 97: E - Dust-proof IP5X
Total harmonic distortion (THD): 9.78 %
LOR: 1,00 ULOR: 0,07 DLOR: 0,93

All values marked with an * are rated values. Thorn uses tried and tested components from leading suppliers, however there may be isolated instances of technology-related failures of individual LEDs during the rated product lifetime. International standards set the tolerance in initial flux and connected load at ±10%. Unless stated otherwise, the values apply to an ambient temperature of 25°C. Risk group

Aquaforce Pro

96630758 AQFPRO L LED8000-840 PC MB HF

THORN



Light output ratio	
LOR	100 %
ULOR	7 %
DLOR	93 %
FFR	0.08 (7:93)
BLF	1.00

Glare Evaluation	
X = 4 H, Y = 8 H	S = 0.25 H
Reflection factors	70/50/20
UGR transversal	<25
UGR axial	<25

Classification	
LITG	A41
EN	
BZ	BZ4/1/BZ5
UTE	0.93 E + 0.07 T
CIE Flux Codes	46 75 92 93 100

Photometric data file: D45933_AQFPRO_L_8000-840_PC_MB_HF.ltd