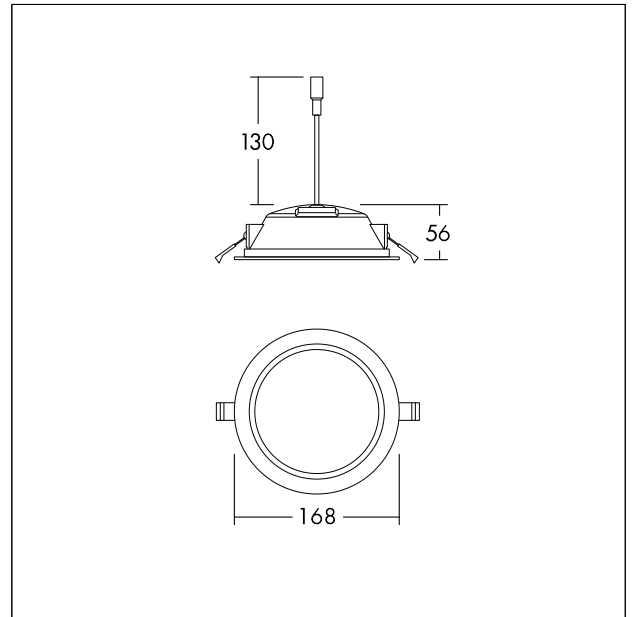


Recessed Downlight IP44

Recessed LED downlight, direct replacement for traditional 1x18W, 1x26W and 2x18W compact fluorescent downlights. Homogeneously lit white opal diffuser made of TpA rated PC. High efficacy, up to 80% energy saving compared to fluorescent light sources. 150mm cut-out – identical to traditional products. AMY VARIO FLEX can be installed into a wide range of ceiling types of 2-16mm thickness. IP44 from the room side, Impact strength: IK06. Total luminous flux: 1500 lm, Luminaire input power: 13 W, Luminaire efficacy: 115 lm/W correlated colour temperature (CCT) adjustable via switch for warm white (3000K), neutral white (3500K) or cold white (4000K) to suit application use. Lifetime: 50.000hrs @L80, Colour Rendering: CRI > 80. Chromaticity tolerance (initial MacAdam): 4. Photobiological Risk Group RG0, THD<20%. Body: Polycarbonate, white (RAL 9003), Diffuser: Polycarbonate, TPA. Tool-free connection enabling loop-in loop-out wiring. Plug&Play with "Just Emergency E3 KIT" for 3h emergency operation. Lumen package adjustable on site by 3 steps FLEX@4000K: (FLEX1 - 1500 lm (13W), FLEX2 -1200 lm (10W), FLEX3 - 950 lm (8W)). Detailed power setting information available on www. THORNeco.com. Dimensions: Ø168 x 56 mm, weight: 0.37 kg.



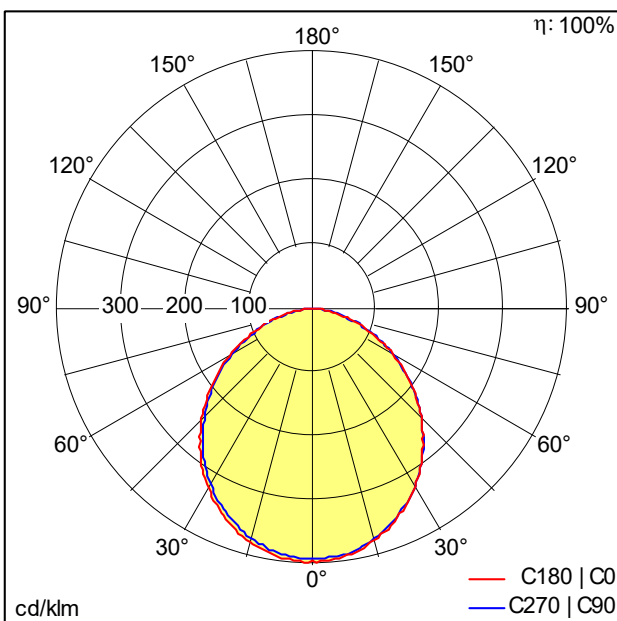
TE_AMYVF_F_PERSP.jpg



TE_AMYVF_M_150.wmf

Light Distribution

STD - standard



TE_AMY_VARIO_FLEX_150_1500_840_FLEX1.Idt

- Light Source: LED
- Luminaire luminous flux*: 1500 lm
- Total emergency luminous flux: 450 lm
- Luminaire efficacy*: 115 lm/W
- Colour Rendering Index min.: 80
- Correlated colour temperature*: 3000-4000 Kelvin
- Chromaticity tolerance (initial MacAdam): 4
- Rated median useful life*: L80 50000 h at 25 °C
- Ballast: 1x LED_Con
- Luminaire input power*: 13 W Power factor = 0.9
- Dimming: Fixed output
- Maintenance category CIE 97: D - Enclosed IP2X
- Total harmonic distortion (THD): 20.00 %

Please also consult the additional information on the next page

AMY VARIOFLEX



AMY VARIOFLEX 150 1500 830/35/40

96638036

Recessed Downlight IP44