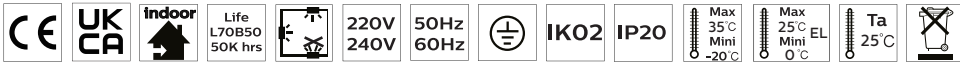
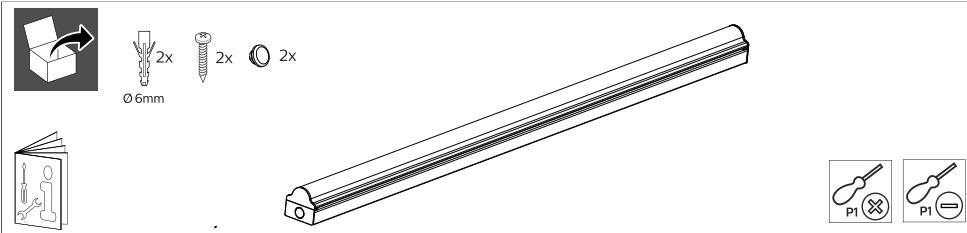
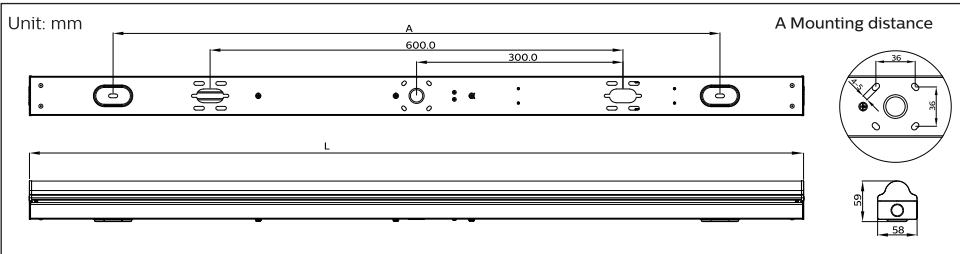


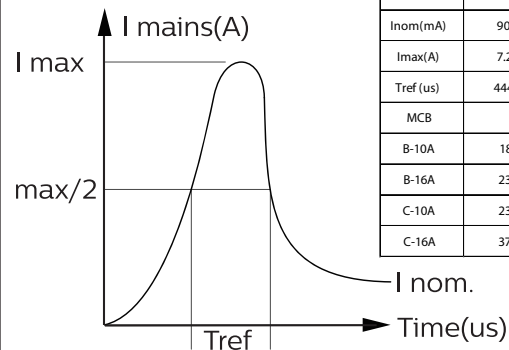
ECOLINK



Type	Energy efficiency class	P (W)	A (mm)	L (mm)	kg
ECOLINK BTN 4FT SINGLE 840	D	21	882	1125	0.92
ECOLINK BTN 4FT TWIN 840	D	40	882	1125	0.92
ECOLINK BTN 5FT SINGLE 840	D	29	1202	1445	1.15
ECOLINK BTN 5FT TWIN 840	D	50	1202	1445	1.15
ECOLINK BTN 6FT SINGLE 840	D	36	1502	1745	1.39
ECOLINK BTN 6FT TWIN 840	D	65	1502	1745	1.39



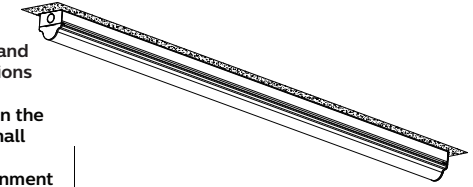
Inrush current



	L1200/255 21W	L1200/485 40W	L1200/355 29W	L1200/605 50W	L1200/435 36W	L1200/785 65W
Electrical characteristics						
Inom(mA)	90	179	133	219	162	284
I max(A)	7.2	10.1	8.6	10.9	11.2	13.1
Tref (us)	444	527.7	579.5	527.5	566.2	676
MCB Luminaire Max.						
B-10A	18	11	13	11	10	9
B-16A	23	14	16	13	12	10
C-10A	23	15	17	14	13	11
C-16A	37	24	27	22	21	18

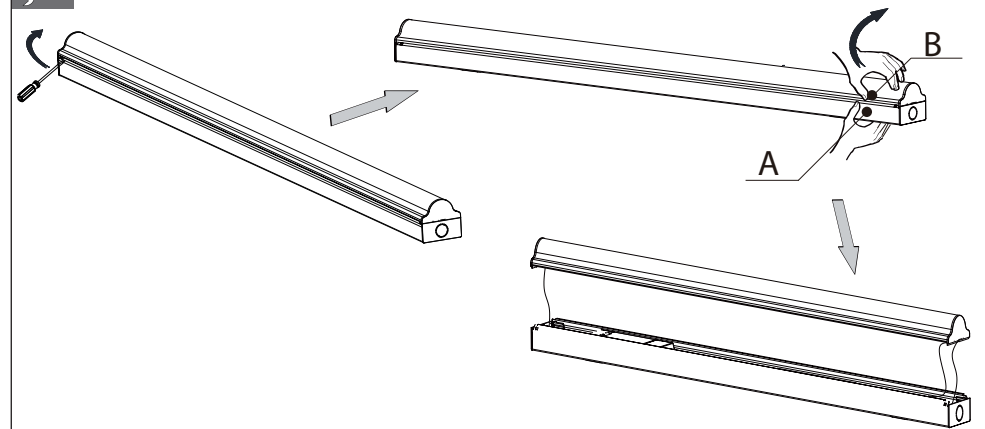


- The luminaire shall be installed by a qualified electrician and wired in accordance with the latest IEE electrical regulations or the national requirements.
- The light source of this luminaire is not replaceable; when the light source reaches its end of life the whole luminaire shall be replaced.
- Luminaire must not be used or stored in corrosive environment where hazardous materials such as sulphur, chlorine, phthalates, etc., are present.
- Water entering into IP20 luminaire is strictly prohibited. IP20 luminaire is not protected against wet condition, water ingress may cause electrical failure or unsafe conditions

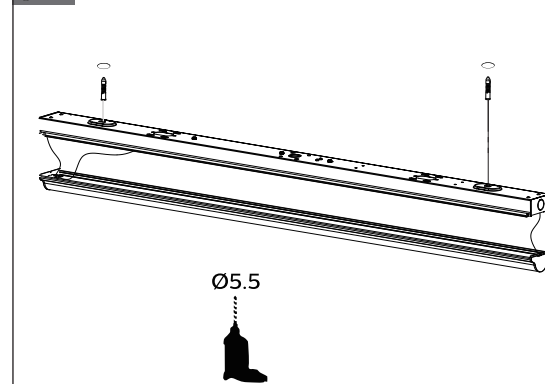


ATTENTION
OBSERVE PRECAUTIONS
FOR HANDLING
ELECTROSTATIC
SENSITIVE
DEVICES

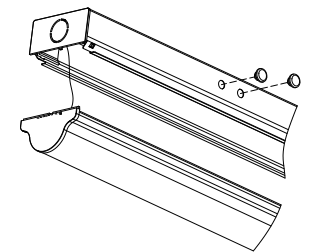
1: Luminaire opening



2: Surface Mounted



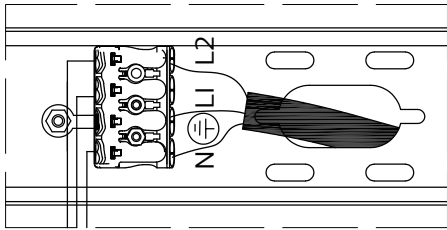
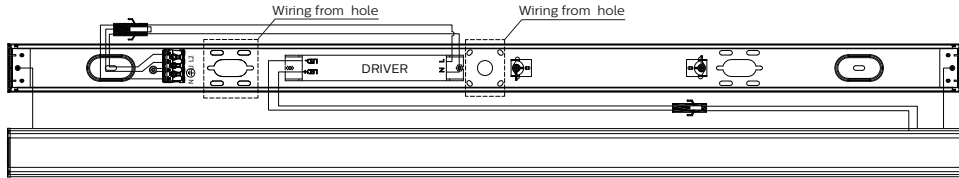
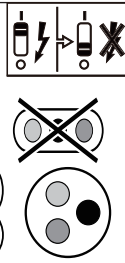
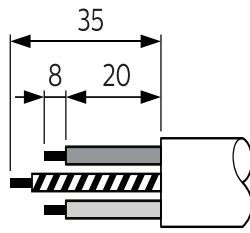
2-1: Fixed silicone plug



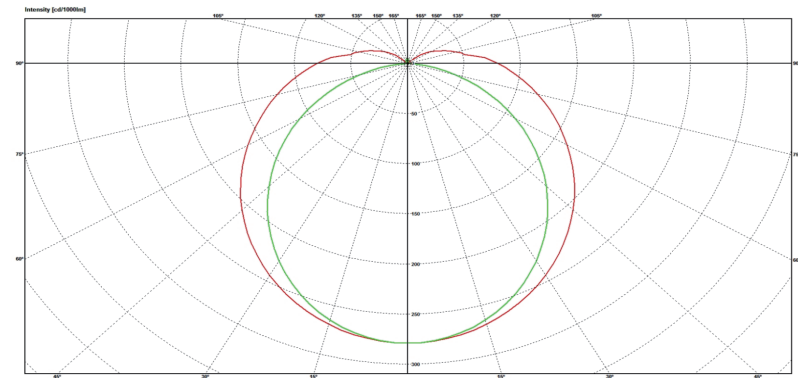
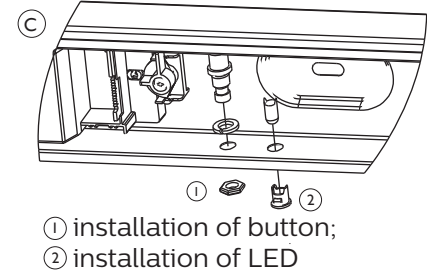
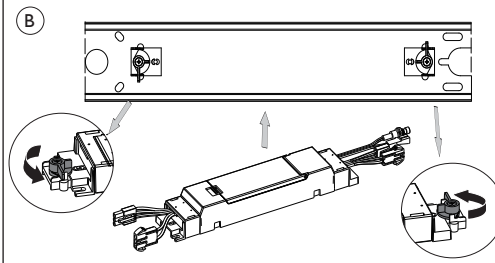
3: Wiring from end hole (side)

H05RN-F
 Min. 3x1,0mm²
 Max. 3x2,5mm²
 Ø7-Ø12 mm

Brown
 Yellow - green
 Blue



Blue=Neutral(N)
 Green/Yellow=Earth(⊕)
 Brown=Switched Live (L2)



Rated lumen output in emergency mode: min 300lm

3-1: Emergency wiring

(option with additional emergency module EM300V)

Emergency Module:

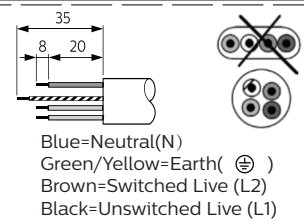
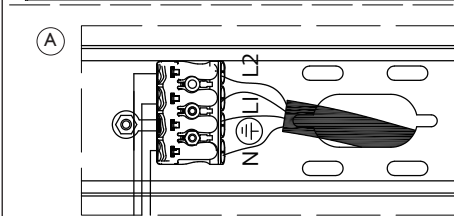
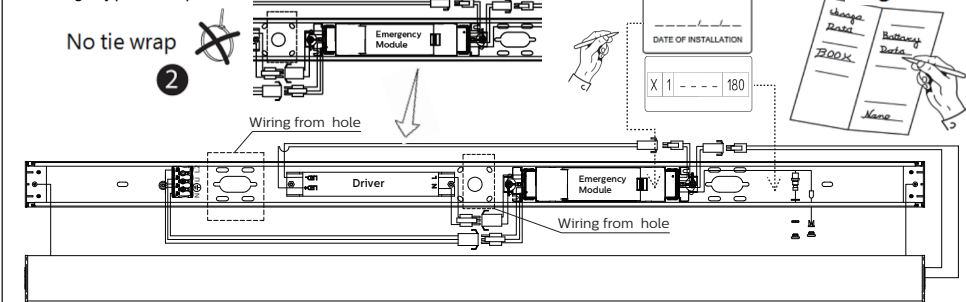
Follow manual instruction of EM300V

Order Code:

912401483459EM300V ELB3 kit HV 6.4V 2000mAh LFP

912401483460EM300V ELP3 kit HV 6.4V 2000mAh LFP

The emergency pack is not provided



Blue=Neutral(N)
 Green/Yellow=Earth(⊕)
 Brown=Switched Live (L2)
 Black=Unswitched Live (L1)

4. Close the luminaire

