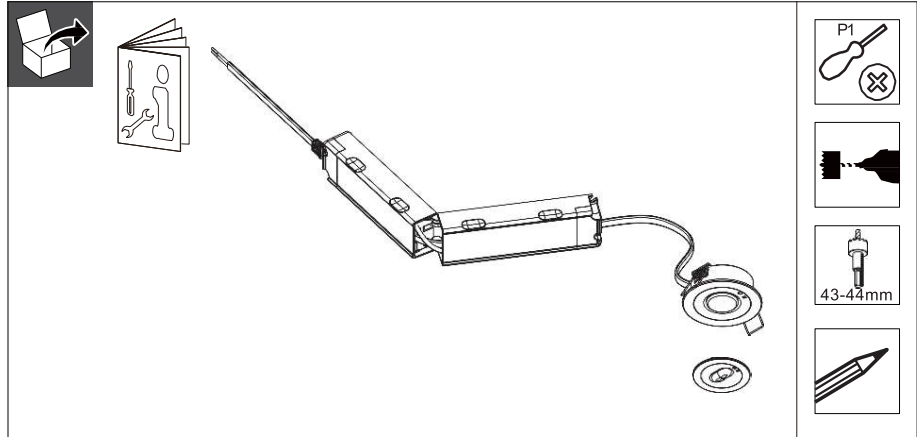
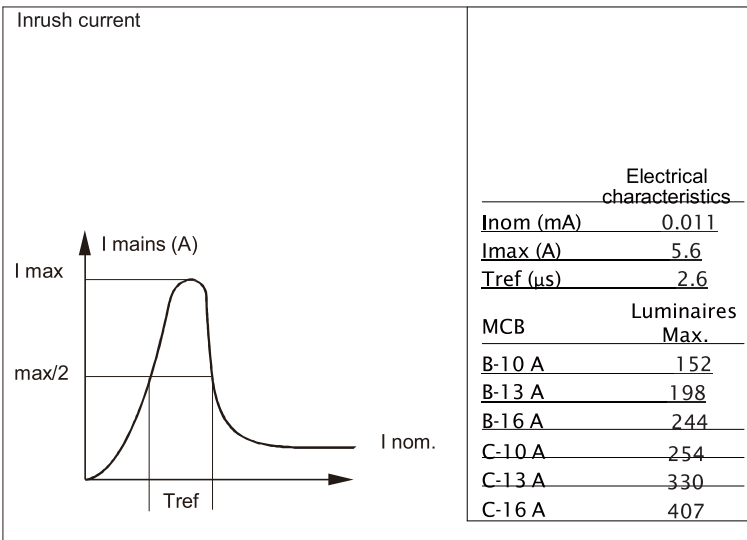
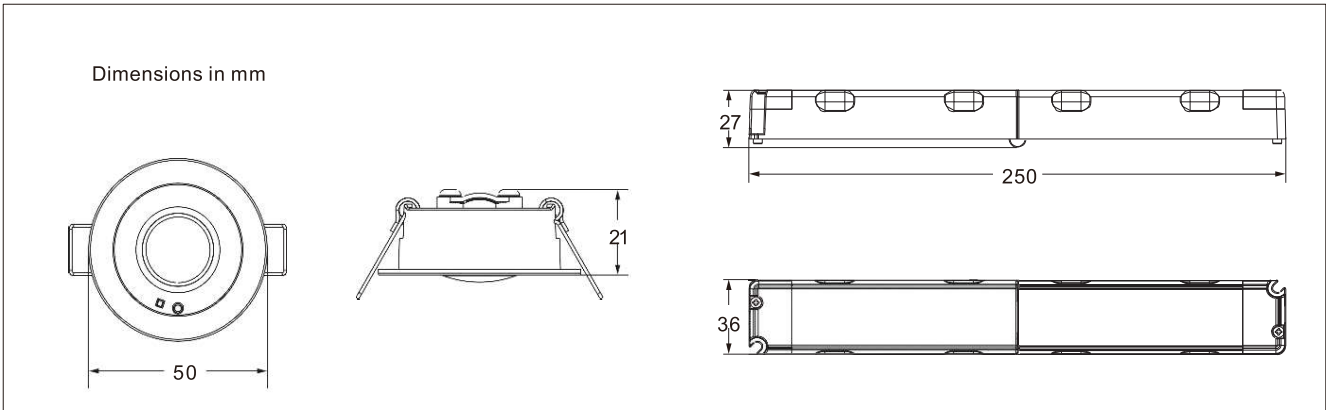


ECOLINK

ECO-E3/MT-RC-SP



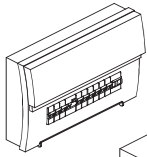
	Test	CCT (K)	Lumen (lm)	P (W)	
ECOLINK EM REC SPOT 3HR MANUAL	manual	6500	120lm (open areas) 130lm (corridor)	1	0.2



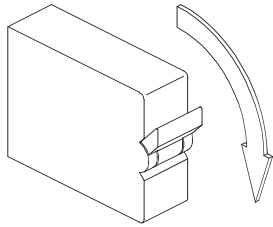
ATTENTION
OBSERVE PRECAUTIONS
FOR HANDLING
ELECTROSTATIC
SENSITIVE

- The luminaire shall be installed by a qualified electrical regulations or the national requirements.
- The light source of this luminaire is not replaceable; when the light source reaches its end of life the whole luminaire shall be replaced.
- Clean with dry cloth.

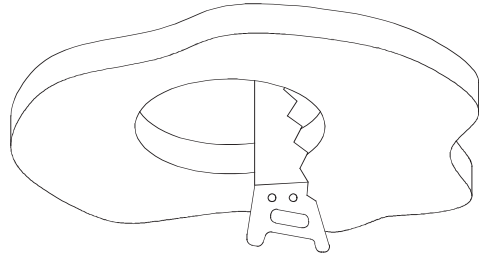
indicated drivers are used.



ALWAYS SWITCH OFF THE
MAINS SUPPLY BEFORE
INSTALLATION OR SERVICING

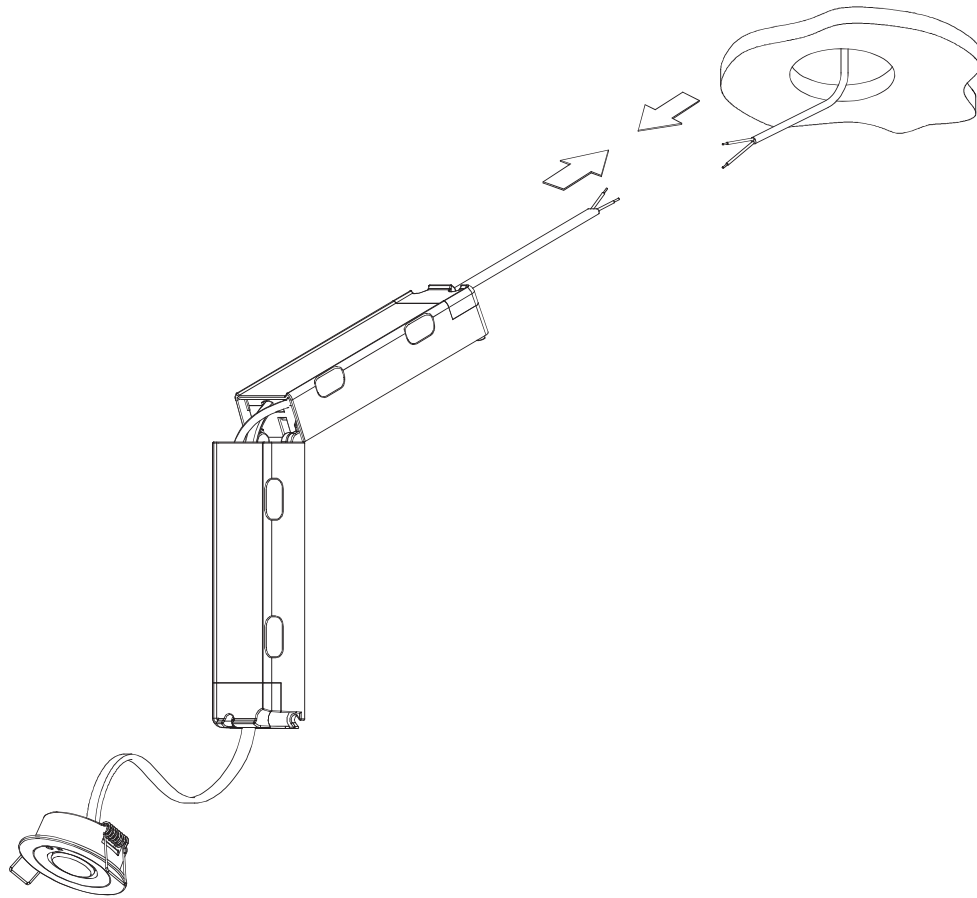


1

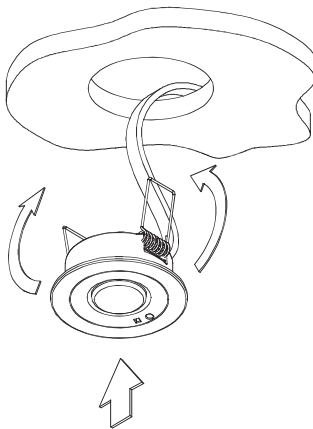


Cut-Out
Ø43-44mm

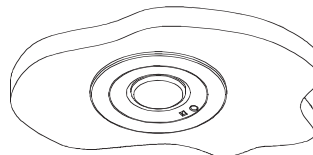
2



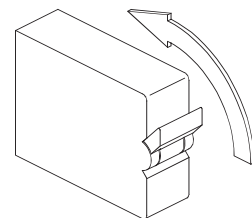
3



4

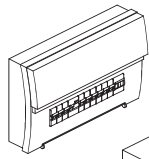


SWITCH ON THE MAINS
SUPPLY AFTER
INSTALLATION OR
SERVICING



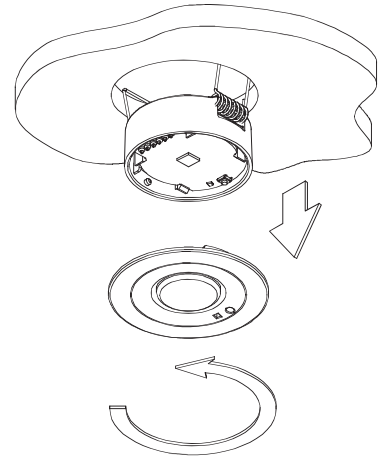
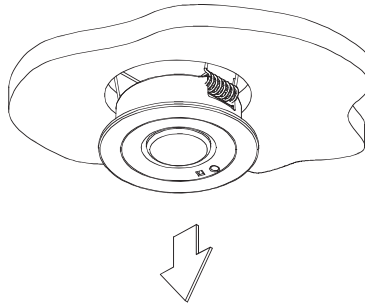
5

Lens Replacement

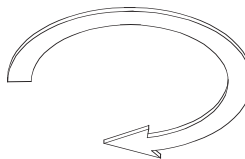
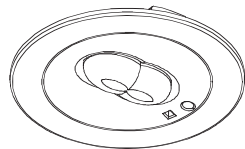
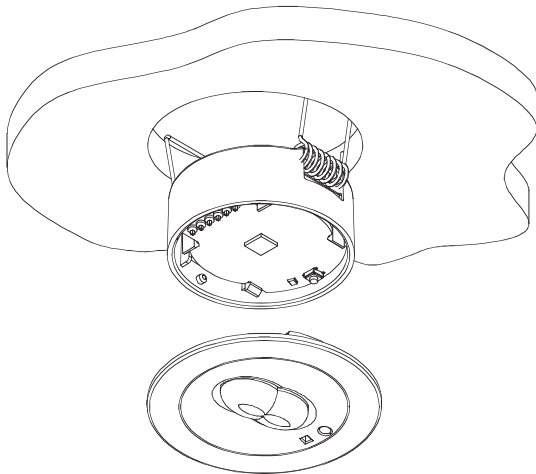


ALWAYS SWITCH OFF
THE MAINS SUPPLY
BEFORE INSTALLATION
OR SERVICING

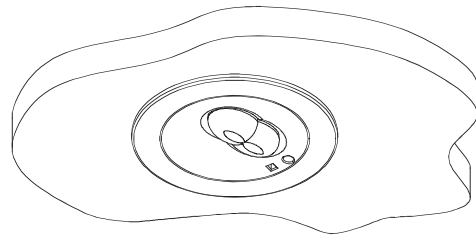
1



2

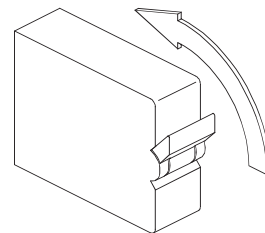


3



4

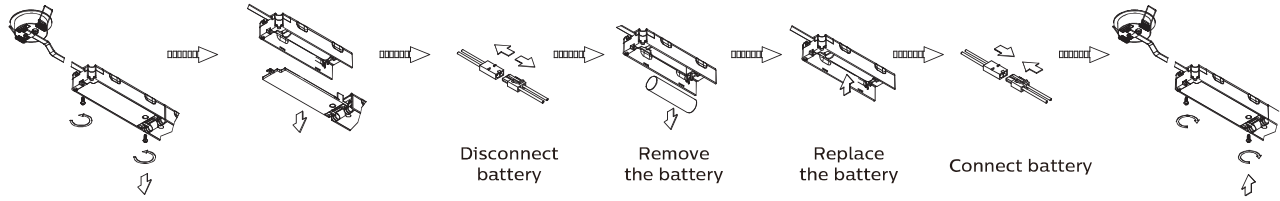
SWITCH ON THE MAINS SUPPLY
AFTER INSTALLATION
OR SERVICING



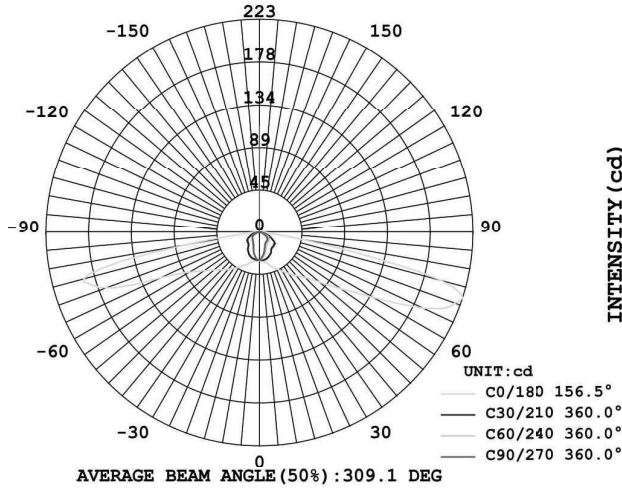
5

Battery replacement

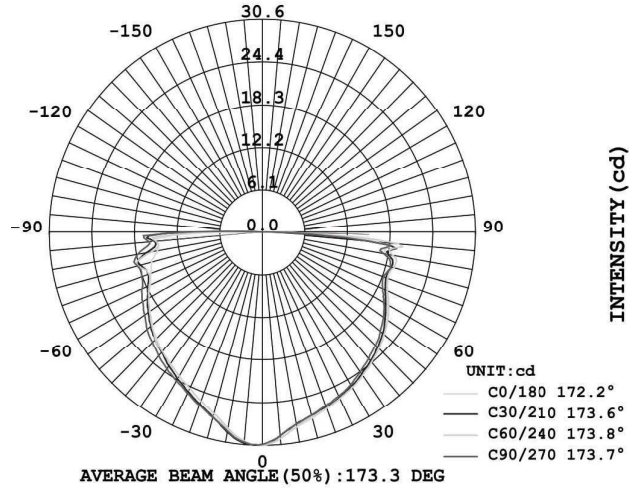
LiFePO₄ -18650-1500mAh-3.2V



Luminous Intensity Distribution (Corridor)



Luminous Intensity Distribution (Open Area)



Corridor Spacing Data (1 lux)

Mounting Height (m)					
2.50	3.22	16.80	10.46	4.65	1.53
3.00	5.08	17.17	9.87	4.49	1.40
3.50	4.30	14.86	8.99	4.18	1.25
4.00	3.73	13.27	8.13	3.89	0.98

Open Area Spacing Data (1 lux)

Mounting Height (m)					
2.50	2.27	6.64	6.55	6.66	2.33
3.00	2.11	6.64	6.56	6.67	2.16
3.50	1.80	6.50	6.42	6.50	1.85
4.00	1.31	6.19	6.11	6.17	1.35



1. For indoor use only.
2. The luminaire complies with IEC60598-1IEC 60598-2-22.
The luminaire must be installed by a qualified electrician and wired in accordance with the latest IEE Electrical regulations or the national requirements.
3. Turn off the power supply before checking, installation, maintenance or moving.
4. Do not switch on before complete installation.
5. Batteries shall only be replaced by the manufacturer or his service agent or a similar qualified person.
6. Batteries should be replaced when the luminaire no longer meets the 3 hours duration performance.
7. Product mains surge immunity is 0.5/1KV (diff. / comm. mode). To prevent excessive currents and voltages from damaging the device, make sure that the power supply input is equipped with additional protection devices such as surge protectors. For any questions regarding the product's surge protection, please consult the manufacturer's professional.



Please inform yourself about the local waste disposal, separation and collection system for electrical and electronic products and packaging. Please act according to your local rules and do not dispose your old product and packaging with your normal household waste. The correct disposal of the packaging, your product and/or batteries will help prevent potential negative consequences for the environment and human health. Batteries should be disposed separately from the municipal waste stream via designated collection facilities. When disposing a product that contains non-user replaceable batteries, the non-user replaceable batteries shall be removed by a professional.

Testing Record

Product: _____

Location: _____

Installation Date: _____

Month	Functional/Duration	Year 1	Year 2	Year 3	Year 4	Year 5
1						
2						
3						
4						
5						
6						
7						
8						
9						
10						
11						
12						