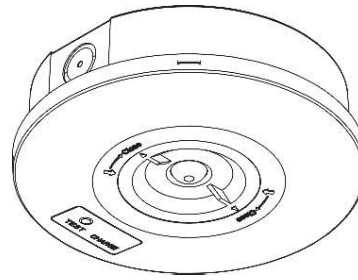


ECOLINK

ECO-E3/MT-SU-SP



220V
240V

50Hz
60Hz



LEDs

IP65

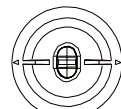
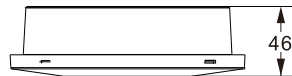
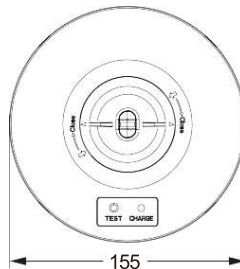
GLOW
WIRE
850 °C

Max.
45 °C
Min.
0 °C

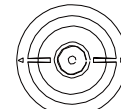


	Test	CCT (K)	Lumen (lm)	P (W)	
ECOLINK EM SURF SPOT 3HR MANUAL	manual	6500	285lm (open area) 250lm (corridor)	2	0.415

Dimensions in mm

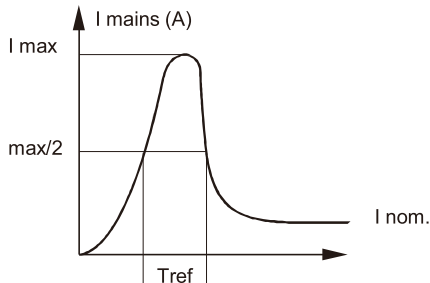


93°x57° lens



160° lens

Inrush current



Electrical characteristics

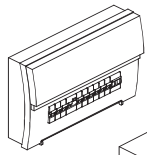
I_{nom} (mA)	0.026
I_{max} (A)	6.4
T_{ref} (μ s)	4.2
MCB	Luminaires Max.
B-10 A	133
B-13 A	173
B-16 A	213
C-10 A	222
C-13 A	289
C-16 A	356



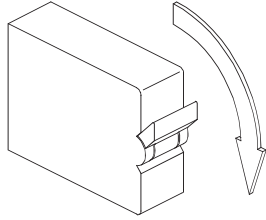
ATTENTION
OBSERVE PRECAUTIONS
FOR HANDLING
ELECTROSTATIC
SENSITIVE

- The luminaire shall be installed by a qualified electrical regulations or the national requirements.
- The light source of this luminaire is not replaceable; when the light source reaches its end of life the whole luminaire shall be replaced.
- Clean with dry cloth.

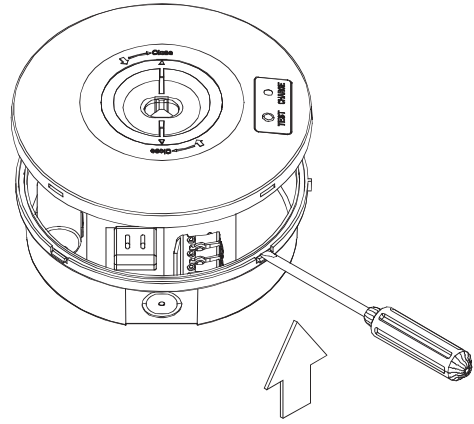
indicated drivers are used.



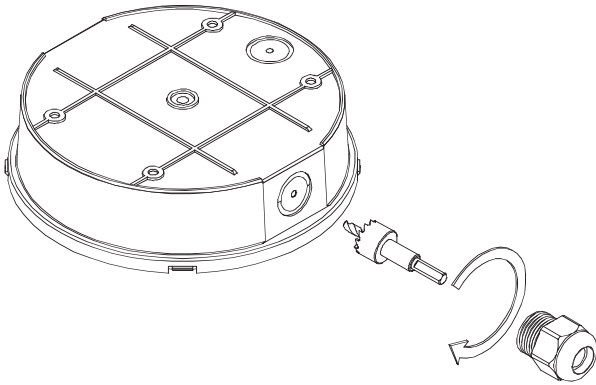
ALWAYS SWITCH OFF THE MAINS SUPPLY BEFORE INSTALLATION OR SERVICING



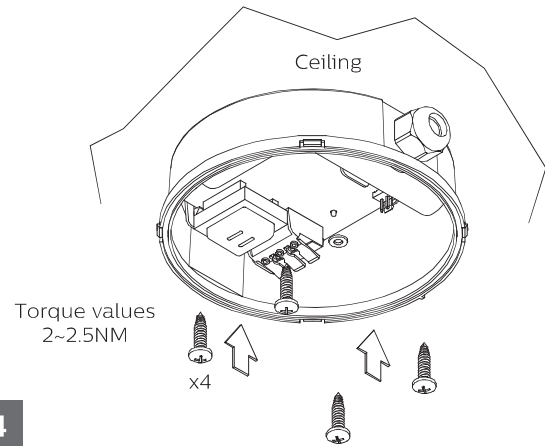
1



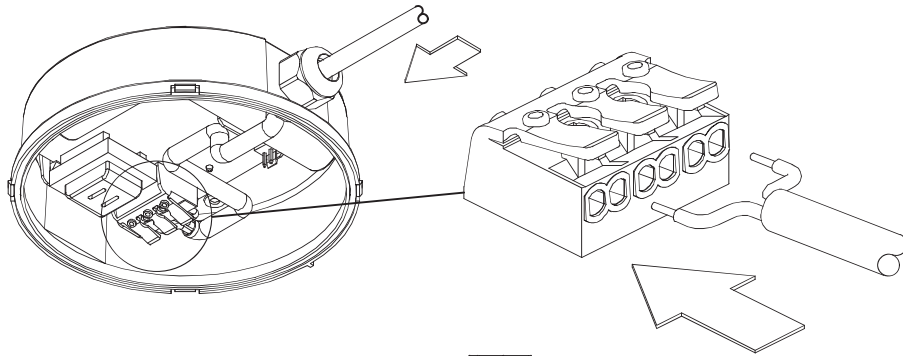
2



3

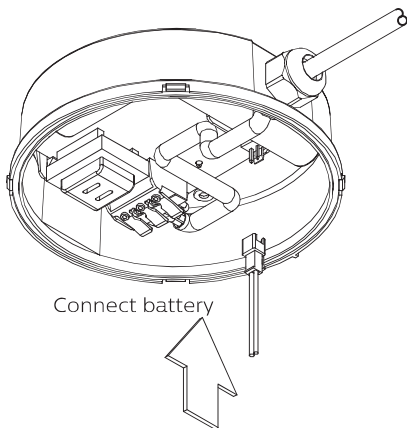


4



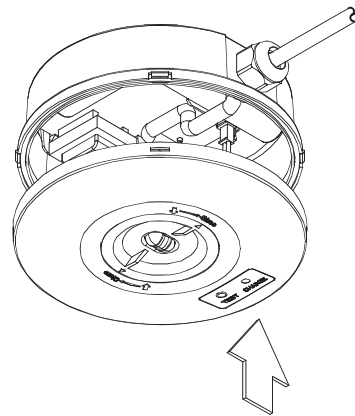
For continuity of termination of CPC
Neutral — Blue
Live — Brown

5

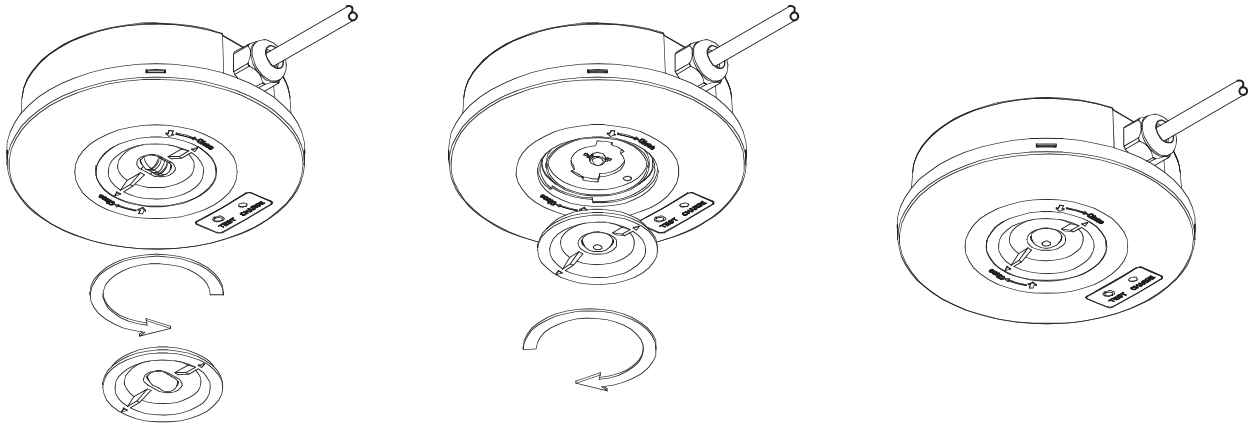


Connect battery

6

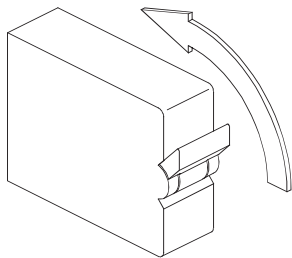


7



8

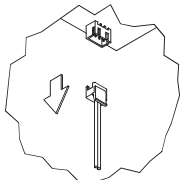
SWITCH ON THE MAINS SUPPLY AFTER INSTALLATION OR SERVICING



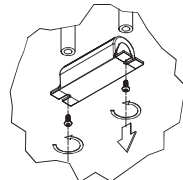
9

Battery replacement

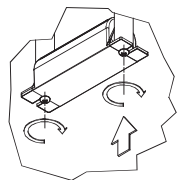
LiFePO₄ -18650-3300mAh-3.2V



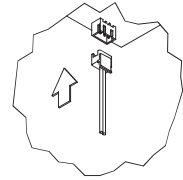
Disconnect battery to converter



Remove the battery

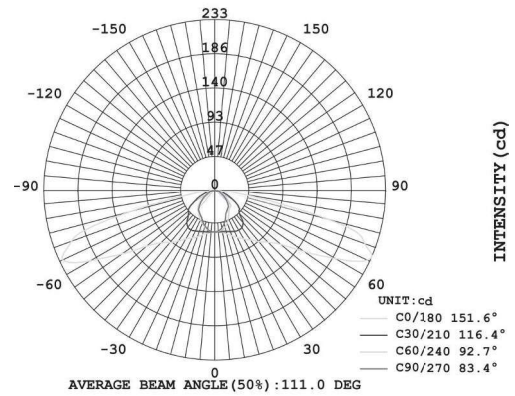


Replace the battery

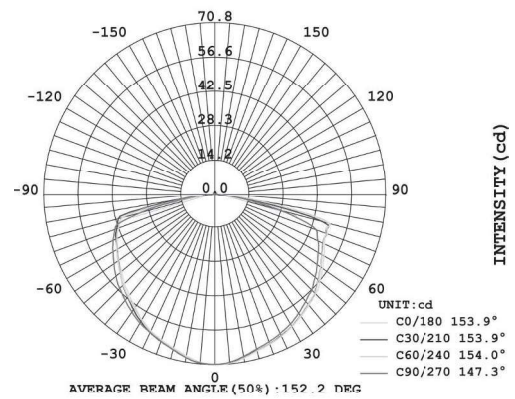


Connect battery to converter

Luminous Intensity Distribution (Corridor)



Luminous Intensity Distribution (Open Area)



Corridor Spacing Data (1 lux)

Mounting Height (m)						
2.50	7.11	17.47	17.47	17.47	17.47	7.11
3.00	7.58	19.01	19.01	19.01	19.01	7.58
3.50	7.92	20.06	20.06	20.06	20.06	7.92
4.00	7.92	20.98	20.98	20.98	20.98	7.92

Open Area Spacing Data (1 lux)

Mounting Height (m)						
2.50	4.01	10.58	10.58	10.58	10.58	4.01
3.00	4.11	11.03	11.03	11.03	11.03	4.11
3.50	4.13	11.34	11.34	11.34	11.34	4.13
4.00	4.09	11.55	11.55	11.55	11.55	4.09



1. For indoor use only.
2. The luminaire complies with IEC60598-1IEC 60598-2-22.
The luminaire must be installed by a qualified electrician and wired in accordance with the latest IEE Electrical regulations or the national requirements.
3. Turn off the power supply before checking, installation, maintenance or moving.
4. Do not switch on before complete installation.
5. Batteries shall only be replaced by the manufacturer or his service agent or a similar qualified person.
6. Batteries should be replaced when the luminaire no longer meets the 3 hours duration performance.
7. Product mains surge immunity is 0.5/1KV (diff. / comm. mode). To prevent excessive currents and voltages from damaging the device, make sure that the power supply input is equipped with additional protection devices such as surge protectors. For any questions regarding the product's surge protection, please consult the manufacturer's professional.



Please inform yourself about the local waste disposal, separation and collection system for electrical and electronic products and packaging. Please act according to your local rules and do not dispose your old product and packaging with your normal household waste. The correct disposal of the packaging, your product and/or batteries will help prevent potential negative consequences for the environment and human health. Batteries should be disposed separately from the municipal waste stream via designated collection facilities. When disposing a product that contains non-user replaceable batteries, the non-user replaceable batteries shall be removed by a professional.

Testing Record

Product: _____ Location: _____ Installation Date: _____

Month	Functional/Duration	Year 1	Year 2	Year 3	Year 4	Year 5
1						
2						
3						
4						
5						
6						
7						
8						
9						
10						
11						
12						