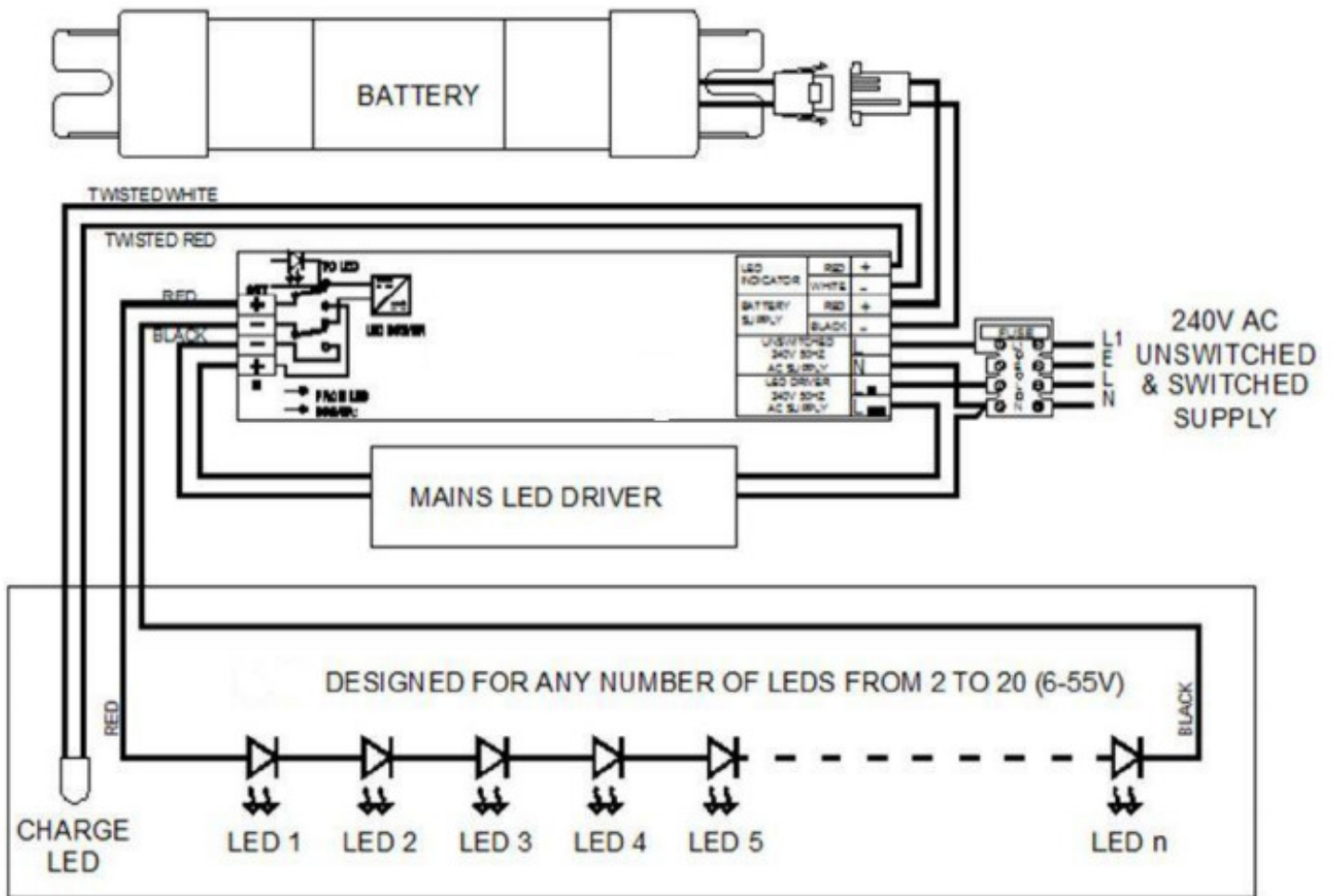




HEATHFIELD LED

Making Light Work

EMERGENCY LED DOWNLIGHT WIRING DIAGRAM



EMERGENCY LED CONVERTER SPECIFICATION

TECHNICAL SPECIFICATION

- LED Current Limit 320mA
- Battery Current Limit 1100mA
- Mains Supply Voltage 230-240V AC
- Mains Power 5W
- Mains Frequency 50Hz
- Power Factor 0.9
- Charge Current 200mA Nominal
- Recharge Period 24-Hours
- Battery Pack 4.5Ah NiCd D Cells
(NiMH Available on request)

BLF%

Luminaire Power	5W	7W	10W	12W	15W	20W	25W	30W	35W	40W	45W	50W
	60%	43%	30%	25%	20%	15%	12%	10%	9%	8%	7%	6%

Heathfield LED Emergency conversion packs have been tested independently within the UK and conform to all aspects of CE for use with Heathfield LED Panels only.

If required, emergency converters and battery packs can be mounted in a remote box, please ask for details.

INSTALLATION OF EMERGENCY EQUIPMENT IS ONLY TO BE INSTALLED BY A QUALIFIED ELECTRICIAN

