

ISL All In One Solar LED

Developed in The UK for use in The UK

Solar LED Street Light

Ideal for use in the remote areas where mains power is not available

Quick & easy to install for many commercial applications:
New Build infrastructure, Schools, Car Parks, Parks,
Fly-Tipping, Ports, Perimeter & CCTV Security & more
Pole Top Mount



Solar powered



Auto on/off



Cordless



Outdoor



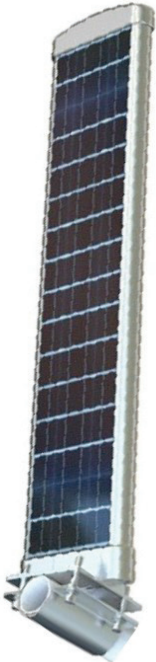
PIR



Easy installation

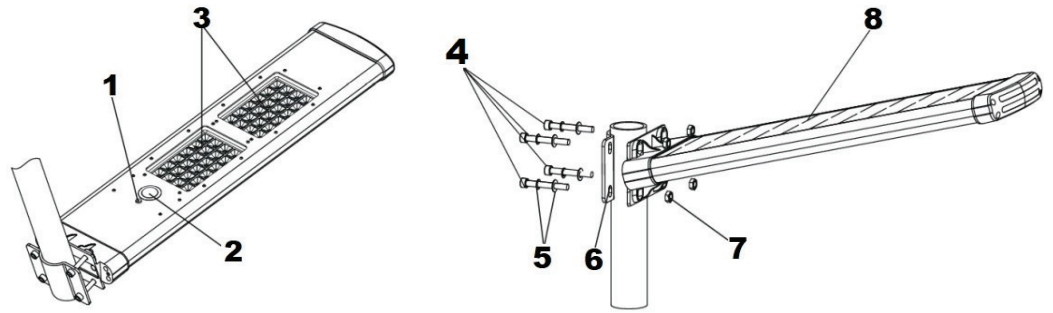


Images shown are for illustration purposes only

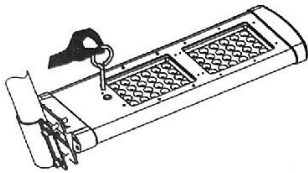
Item Number	Specification	
ISL 0320 20W ISL 0330 30W 	LED Power	20W & 30W versions available
	Chipset	SMD 2835
	Lumens	100 Lm / Watt
	Solar Panel	Mono-Crystalline Silicone
	Battery	Li-on Replaceable Battery 3.7V 26000mAh / 39000mAh
	CCT	5000K ~ 6000K
	Working Modes	Boosts to full power when motion detected from 30% standby mode
	Lux & PIR Sensor	Fully automated Lux & Motion control
	Beam Angle	120°
	Material	Aluminium alloy housing ~ 20 year anticipated fixture lifespan
	Housing Colour	Silver
	Rating	IP65 IK09 CE RoHS
	Working Temperature	-25°C ~ 65°C
	Product Dimensions	810mm x 220mm x 160mm / 1100mm x 220mm x 160mm
	Installation Height	3 - 8m & fits 60mm Φ pole size
Warranty	3 Years	
Pole size	60mm Φ Diameter	

Post Top Installation

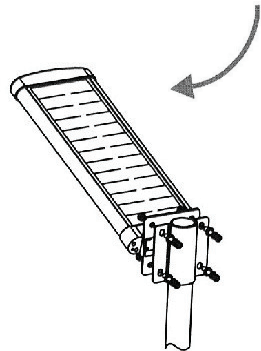
- 1 Switch
- 2 Motion Detection Sensor
- 3 LED Modules
- 4 Securing Bolts
- 5 Washers
- 6 Retaining Clamp
- 7 Retaining Nuts
- 8 Solar Panel



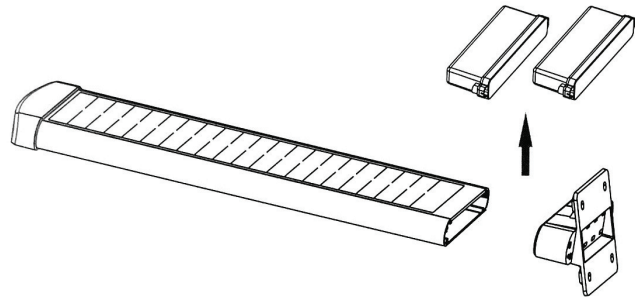
Operation



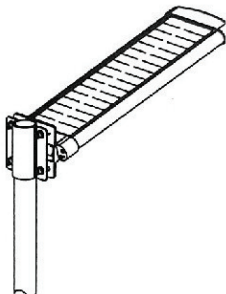
Switch on,
Position fixture
& commence
battery charging



Charges in Sunlight
&
Standard Daylight



Replaceable Battery Packs
8 Years anticipated lifespan



The unit will automatically operate once positioned & charged
in standard UK daylight or a sunny environment

Operation mode runs at 30% power until motion is detected
& switches to full power for 30 seconds to ensure lighting is available
also preserving battery power when motion is not detected

In full power mode 100 Lumens / Watt is produced

Each unit is supplied switched in the off position for transportation & is
controlled by the switch shown in the diagram above (1)