

PHILIPS

Lighting



Ledinaire All-in floodlights

BVP167 LED12/830_40_65 DOB 10W SWB

Ledinaire All-in floodlights, 10 W, 1100 lm, 1200 lm, 3000 K, 4000 K, 6500 K, Symmetrical

With this Ledinaire all-in floodlights range, you can easily adjust the color temperature by a simple switch. No need to choose between warm white, neutral white or cool white anymore, you get all these in one single product! The range comes with the Philips high quality levels at a competitive price. Reliable, energy-efficient and affordable – just what you need.

Product data

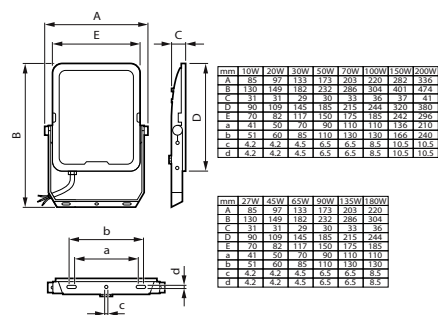
General Information		Light source colour	
Lamp family code	LED12S [LED module, system flux 1200 lm]	Light source colour	830 warm white and 865 cool daylight
Number of gear units	Unit	Optic type	Symmetric 110°
Driver included	Yes	Optical cover type	Glass
Photocell	-	Luminaire light beam spread	110°
Light source engine type	LED system in flux	Optic type outdoor	Symmetrical
Value ladder	Value	All-in Type	All-in, Multi Color Temperature
Light Technical		Operating and Electrical	
Upwards light output ratio	0	Input Voltage	220-240 V
Luminous Flux	1,100 1,200 lm	Line Frequency	50 or 60 Hz
Standard tilt angle post-top	27°	Inrush current	0.78 A
Standard tilt angle side entry	-	Inrush time	0.00648 ms
Luminous efficacy (rated) (nom.)	120 110 lm/W	Power Consumption	10 W
Correlated Colour Temperature	3000 4000 6500 K	Power Factor (Fraction)	0.95
Colour rendering index (CRI)	80	Connection	Flying leads/cables
		Cable	Cable 1.0 m without plug

Ledinaire All-in floodlights

Number of products on MCB of 16 A type B	218
Temperature	
Ambient temperature range	-25 to +40 °C
Controls and Dimming	
Dimmable	No
Driver/power unit/transformer	Driver integrated on LED board (DoB)
Constant light output	No
Mechanical and Housing	
Housing material	Aluminium die cast
Reflector material	Polycarbonate
Optic material	Glass
Optical cover/lens material	Tempered glass
Fixation material	Steel
Housing Colour	RAL 7043
Mounting device	Via U Shaped Bracket, Aiming Scale Angle, Universal Installation
Optical cover/lens shape	Flat
Optical cover/lens finish	Clear
Overall length	130 mm
Overall width	85 mm
Overall height	31 mm
Effective projected area	0.006300000000000001 m ²
Dimensions (height x width x depth)	31 x 85 x 130 mm
Approval and Application	
Ingress protection code	IP65 [Dust penetration-protected, jet-proof]
Mech. impact protection code	IK07 [2 J reinforced]
Surge Protection (Common/Differential)	1.5/1.5 kV
Sustainability rating	-
Protection class IEC	Safety class I
Glow-wire test	Temperature 650 °C, duration 30 s
Flammability mark	For mounting on normally flammable surfaces
CE mark	CE mark

ENEC mark	-
Warranty period	3 years
Photobiological risk	Photobiological risk group 1 @200mm to EN62778
Photobiological risk specification	0.2 m
EU RoHS compliant	Yes
Initial Performance (IEC Compliant)	
Luminous flux tolerance	+/-10%
Initial chromaticity	(0.440,0.403); (0.369,0.364); (0.313,0.337) SDCM<5
Power consumption tolerance	+/-10%
Init. Color Rendering Index Tolerance	-2
Over Time Performance (IEC Compliant)	
Control gear failure rate at median useful life 50,000 h	7.5 %
Lumen maintenance at median useful life* 50,000 h	80
Application Conditions	
Performance ambient temperature Tq	25 °C
Suitable for random switching	Not applicable
Product Data	
Order product name	BVP167 LED12/830_40_65 DOB 10W SWB
Full product name	BVP167 LED12/830_40_65 DOB 10W SWB
Full EOC	872016973601699
Order code	73601699
Material no. (12 NC)	911401871386
SAP numerator – quantity per pack	1
Net Weight (Piece)	0.250 kg
EAN/UPC – Product/Case	8720169736016
Numerator – packs per outer box	24
EAN/UPC - Case	8720169736207

Dimensional drawing



Ledinaire All-in floodlights

