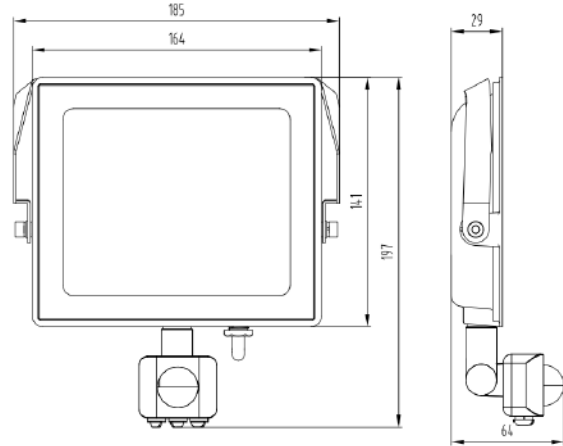


## Product Information



### Technical Specifications:



Model	Voltage	Power	Displacement factor	Lumen	Beam angle	CCT	Lifespan	Cable	Dimmable	Dimension
S13951	AC220-240V	50W PIR	≥0.9	5000lm	110°	4000K	25,000hrs	100cm	No	197X185X64mm

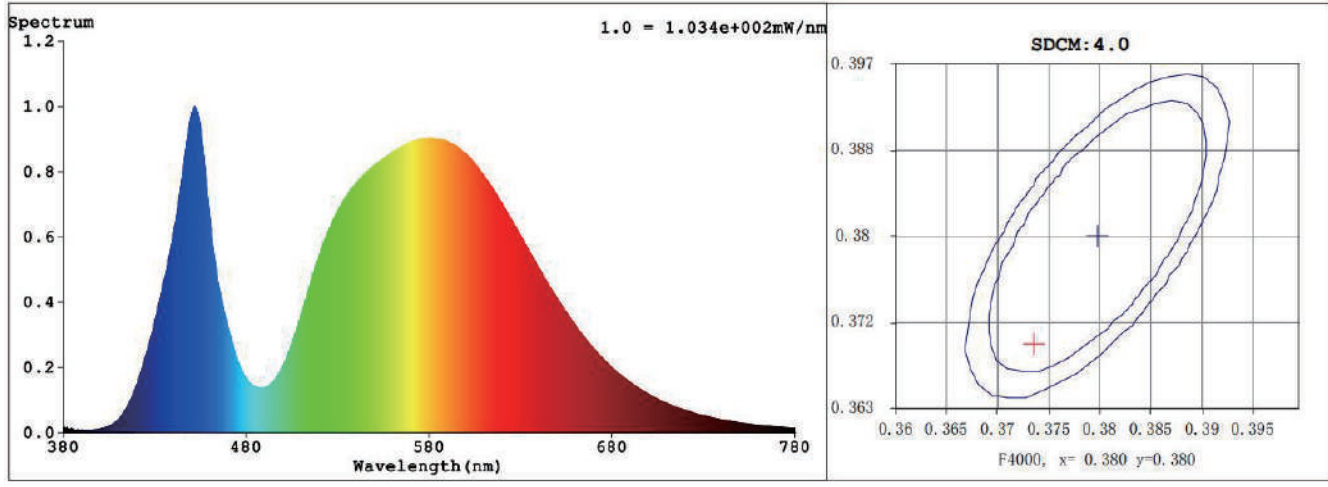
### Driver Data Sheet

Driver date	Specification
Input rated Voltage	AC220-240V
Frequency	50/60HZ
Input Voltage	AC220-240V
Efficiency	80%
Total Load wattage	50W
Displacement Factor	≥0.9
Rated input current	0.22
Full load output current	0.2
Rated output current	0.16
Output current range	±10%
Power tolerance	±10%
Current output tolerance	±10%
Withstand voltage	1500V
Short circuit protection	PASS
Overload protection	PASS
No-load protection	PASS

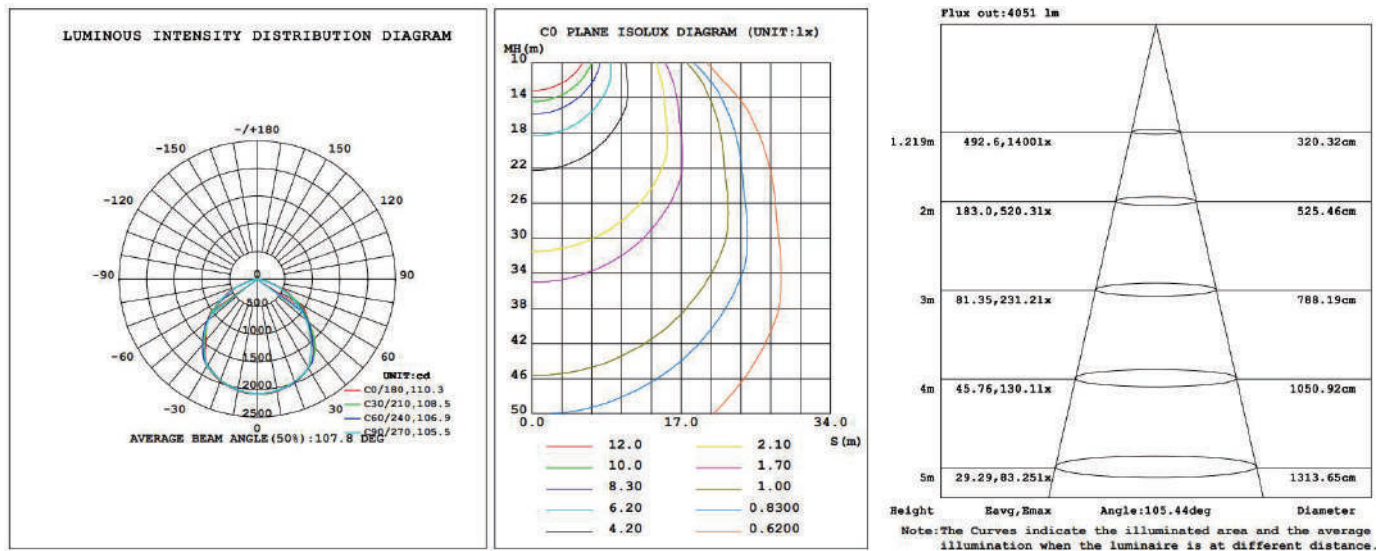
### Fixture Compatibility

Rated Wattage	Electrical Classification	Ingress Protection	Operating Temp	Operating Humidity	Storage
50W PIR	I	IP44	-20°C - +40°C	10-95%	-25°C - +65°C ≤ 95%RH(25 best)

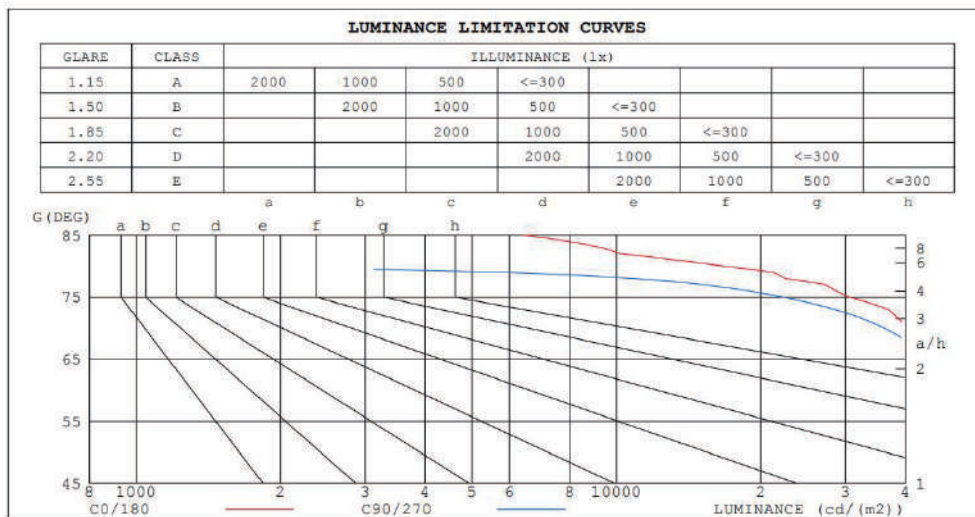
## Spectral Distribution



## Photometric Diagram



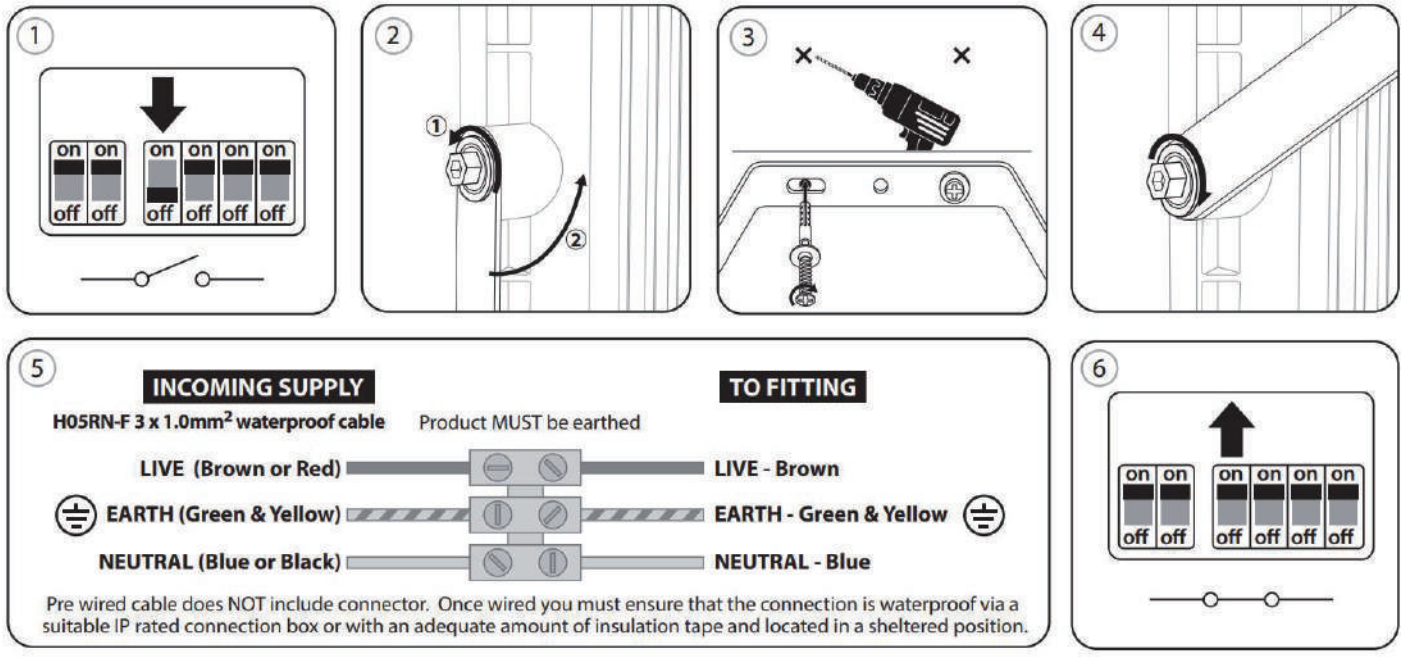
## Luminance Limitation Curves



**LUMINANCE cd/(m2)**

G (DEG)	C0/180	C90/270
85	6411	0
80	16671	0
75	30379	22046
70	41409	36120
65	50384	44961
60	57392	51299
55	62389	55613
50	63441	59346
45	64048	62785

## Installation



## Packaging Information

	Size(CM)	N.W/Pcs (KGS)	G.W/Carton (KGS)	Qty(PCS)
Carton	39.5X35X22.5	0.42	7.4	12

	CTNS	QTY(PCS)	VOLUME(CBM)
20"Standard container	900	10,800	27.99
40"Standard container	1,864	22,368	57.99

## Packaging Information

EN IEC 60598-1:2021/A11:2022    EN 60598-2-5:2015    EN62493:2015/A1:2022  
 IEC60598-2-5:2015 used in conjunction with IEC60598-1:2020  
 EN IEC55015:2019/A11:2020    EN61547:2009    EN IEC 61000-3-2:2019/A1:2021    EN61000-3-3:2013/A2:2021  
 EN IEC 55015, EN61547, EN IEC 61000-3-2 and EN 61000-3-3