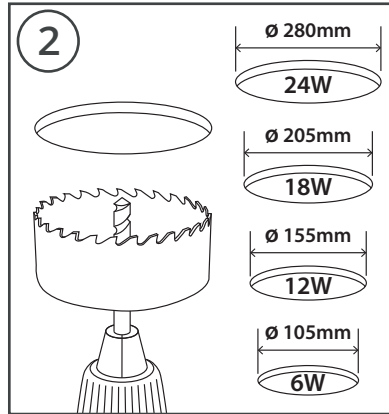
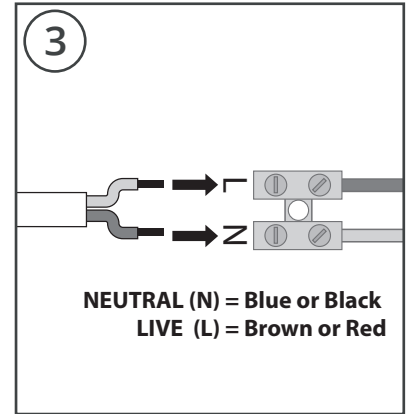


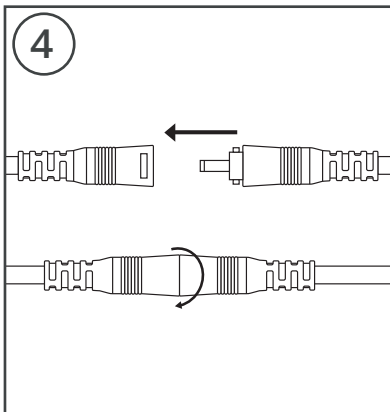
Switch OFF at mains supply before installing



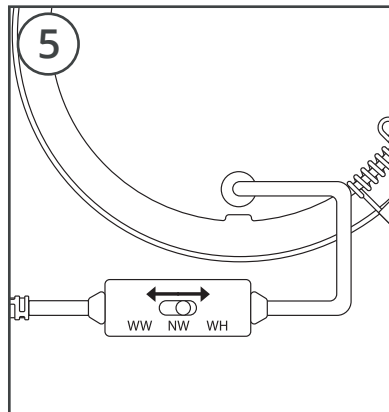
Carefully cut out hole



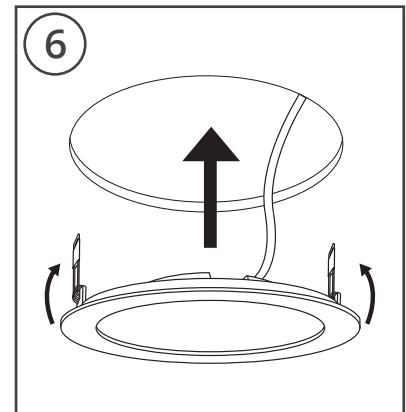
Connect LED driver to power supply



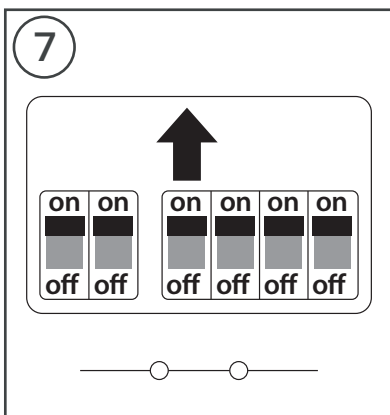
Connect the LED driver to the fitting using the twist and lock connector



Switch the CCT to desired setting  
WW - 3000K Warm White  
NW - 4000K Natural / Cool White  
WH - 6000K White / Daylight



Push springs upwards and insert



Return power. Switch ON at mains supply

#### Note

Installation must be installed by a qualified electrician (BS7671).  
Read before installation and retain for future reference.  
Ideal for Indoor use.  
Always check for concealed pipes and cables before installation.

**DO NOT MODIFY** - this will invalidate the warranty and could be dangerous. Waste electrical products should not be disposed of with household waste.  
Please recycle where facilities exist.  
Check with your Local Authority or retailer for recycling advice.